



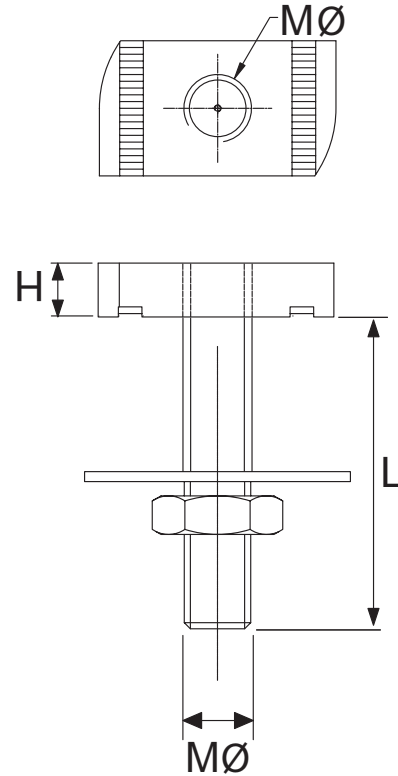
## Strut Bolt - for use with Strut Channel and Cantilever Strut

TMN

Pipe Support

### Technical Features

- **Sizes:** M8, M10 and M12  
To fit Strut Channel : 21x41, 41x41, 62x41, 83x41  
and Cantilever Strut: 21x41, 41x41.
- **Material :** Carbon steel
- **Finish :** Electro Zinc Plated
- **Specifications :** Premounted with nut and large washer.  
Nuts are serrated for better grip on curved interior.



### Strut Bolt - for use with Strut Channel and Cantilever Strut - TMN

Physical Data

| Thread Size (MØ) | Length (L) (mm) | H | Box Qty. | Weight (x1) (kg / lbs) | Reference |
|------------------|-----------------|---|----------|------------------------|-----------|
| M8               | 50              | 6 | 100      | 0,14 / 0.31            | 590221    |
| M8               | 60              | 6 | 100      | 0,16 / 0.35            | 590222    |
| M8               | 100             | 6 | 100      | 0,27 / 0.60            | 590223    |
| M10              | 40              | 8 | 100      | 0,12 / 0.26            | 590090    |
| M10              | 50              | 8 | 100      | 0,15 / 0.33            | 590224    |
| M10              | 60              | 8 | 100      | 0,18 / 0.40            | 590225    |
| M10              | 70              | 8 | 100      | 0,20 / 0.44            | 590226    |
| M10              | 80              | 8 | 100      | 0,24 / 0.53            | 590227    |
| M10              | 90              | 8 | 50       | 0,27 / 0.60            | 590228    |
| M12              | 40              | 8 | 100      | 0,13 / 0.29            | 590100    |